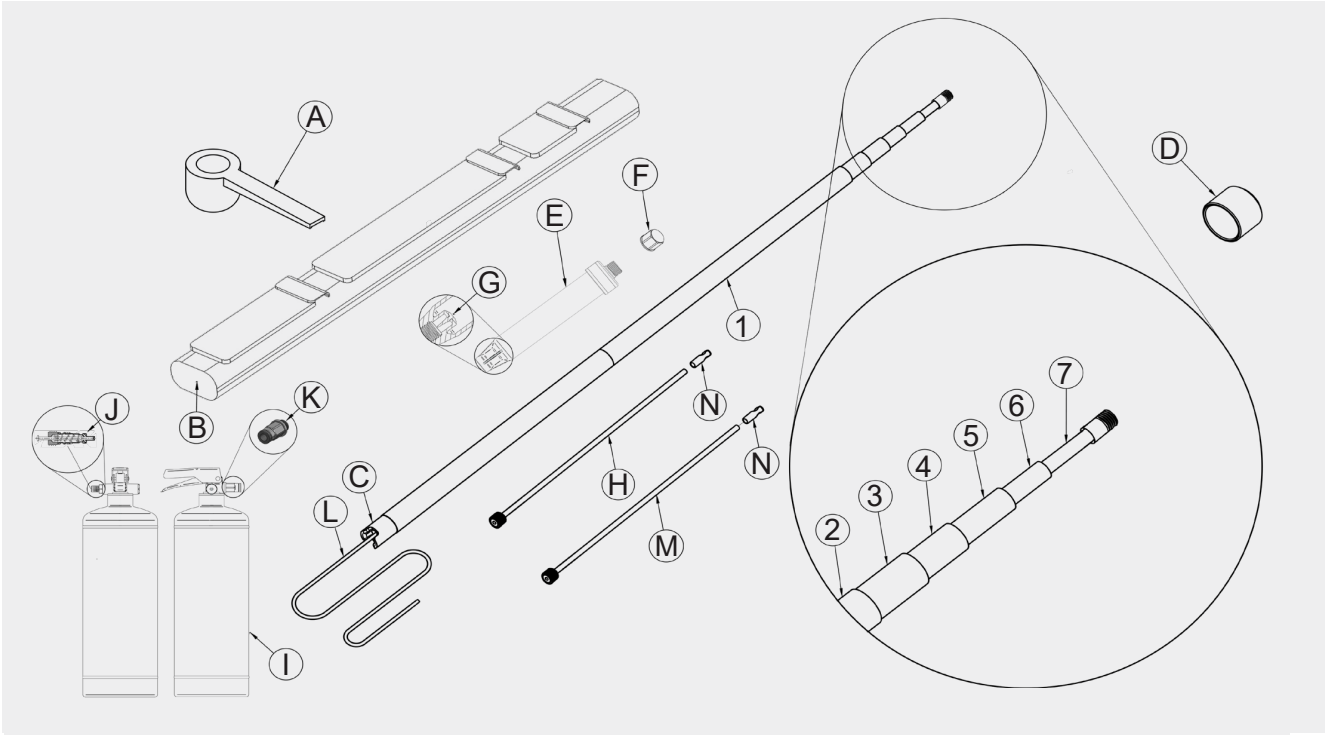


You know when  
you're in safe hands!

[www.killgerm.com](http://www.killgerm.com)

**AR8 PRO KIT PARTS LIST**

**COMPONENT PARTS**

KEY	REPLACEMENT PARTS / COMPONENT DESCRIPTION	PART #	PRICE
1	Replacement Pole Section 1 (Base)	AR8-01	<b>£34.99</b>
2	Replacement Pole Section 2	AR8-02	<b>£34.99</b>
3	Replacement Pole Section 3	AR8-03	<b>£34.99</b>
4	Replacement Pole Section 4	AR8-04	<b>£34.99</b>
5	Replacement Pole Section 5	ARP-09	<b>£34.99</b>
6	Replacement Pole Section 6	ARP-10	<b>£34.99</b>
7	Replacement Pole Section 7 (Top)	ARP-11	<b>£34.99</b>
A	5g Powder Scoop	PSCOOP-01	<b>£0.20</b>
B	Heavy Duty Carry Case (Bag only without tubes)	AR38-11	<b>£18.50</b>
C	Rubber End Foot	AR8-14	<b>£4.99</b>
D	End Cap	AR8-18	<b>£2.88</b>
E, F	Replacement Powder Chamber (Inc 1 x cap)	ARP-01	<b>£45.00</b>
G	Powder chamber internal non-return Valve (supplied with special fitting tool).	ARP-02	<b>£5.99</b>
H, N	Flexible Nozzle Kit - Standard tube size (8 mm Diameter x 35 cm)	ARP-03	<b>£15.99</b>
I	1L Stainless Steel Pressure Tank	ARP-05	<b>£89.00</b>
J	Inflator valve inner core (Inc fitting tool)	ARP-06	<b>£5.99</b>
K	6 mm Compression rush fit outlet valve	ARP-07	<b>£4.75</b>
F, N	Powder Chamber and tip cap (2 pcs)	ARP-08	<b>£2.50</b>
L	AR 8 Pro Replacement hose Kit (8m)	ARP8-01	<b>£35.00</b>

**PLEASE NOTE THE ABOVE DIAGRAM IS FOR THE NEW AR8 PRO KIT VERSION.**

**FOR OLDER PRE 2019 AR8'S PLEASE CONTACT THE KILLGERM® SALES OFFICE.**